

# WJ19 Capacitor Contactor



2

Capacitor Contactor

## Applicable scope

Applicable to rated voltage AC600VC and below, with frequency at 50Hz/60Hz, and applied as a contractor for connecting and disconnecting low-voltage capacitor in parallel. Contactor is equipped with current limiting resistor, which can suppress surge current output from capacitor when they are initially connected, which effectively reduce the impact of surge current to the capacitors and increase the life and reliability of capacitors.

## Operation and installation conditions

Type	Operation and installation conditions
Installation class	III
Pollution degree	3
Compliant standards	IEC/EN 60947-1
Certification mark	CE
Ambient temperature	Normal operation temperature range: -5°C~+40°C. The 24-hour average temperature should not exceed +35°C. For use beyond the normal operation temperature range.
Altitude	Not exceeding 2000 m above sea level
Atmospheric conditions	At mounting sit, The relative humidity should not exceed 50% at the upper temperature limit of +40°C. Higher relative humidity is allowed at a lower temperature, example RH could be 90% at +20°C, Special measures should be taken to occurrence of dews.
Installation conditions	The angle between the installation surface and the vertical surface should not exceed ±5°.
Impact and shake	The products should locate in the places where there are no obvious impact and shake.

# WJ19 Capacitor Contactor

Main parameter		Technical performance
Rated isolation voltage $U_i$ (V)		690V
Rated Operational voltage $U_e$ (V)		220/230V, 380/400V,660/690V
Restrained surge capacity		20 $I_e$
Controlled power voltage (V)		110V 127V 220V 380V
Auxiliary contact	AC-15	$I_e$ :0.95A $U_e$ :380/400V
	DC-13	$I_e$ :0.15A $U_e$ :220/250V
	Conventional thermal current ( $I_{th}$ )	10A
Operating Frequency cycles/h		120
Electrical durability $10^4$		10
Mechanical durability $10^4$		100

**2**

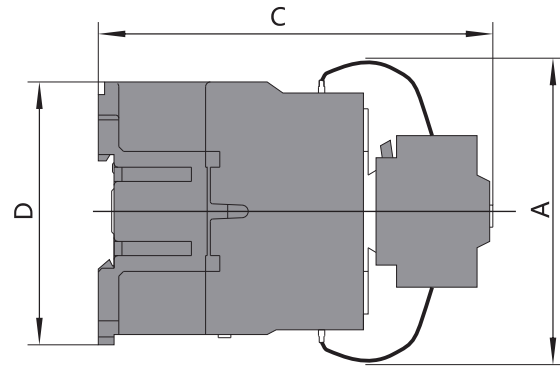
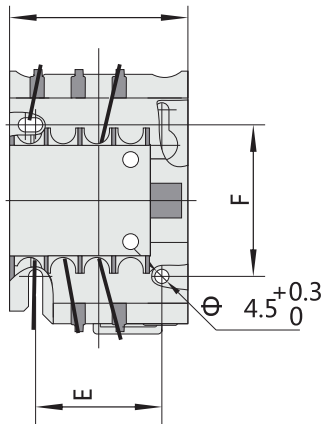
Capacitor Contactor

Item	Ref.No		Controllable capacitor Capacity in KVAR	Conventional thermal current $I_{th}$ (A)	Rated operation current $I_e$ (A) (380V)
WJ19-25	W606409	220V/230V	6.7	25	17
		380V/400V	12.5	25	17
		660V/690V	18	25	17
WJ19-32	W606410	220V/230V	10	32	23
		380V/400V	20	32	23
		660V/690V	26	32	23
WJ19-40	W606411	220V/230V	15	40	29
		380V/400V	25	40	29
		660V/690V	36	40	29
WJ19-63	W606412	220V/230V	20	63	43
		380V/400V	33.3	63	43
		660V/690V	48	63	43
WJ19-95	W606413	220V/230V	35	95	72.2
		380V/400V	50	95	72.2
		660V/690V	92	95	72.2

# WJ19 Capacitor Contactor

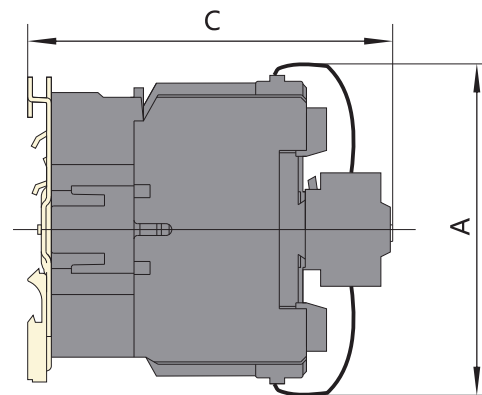
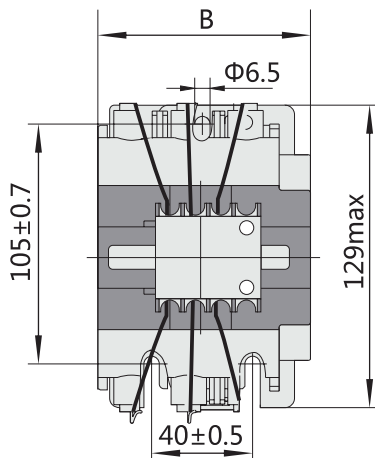
Dimensions

## WJ19-25~32



Contactor model	Amax	Bmax	Cmax	Dmax	E	F	Note
WJ19-25~32	80	45	132	85	34	50/60	Not only fixed by screws but also could be fixed with 35mm din rail

## WJ19-40~95



Contactor model	Amax	Bmax	Cmax	Dmax	Note
WJ19-40~63	132	77	153	127	Not only fixed by screws but also could be fixed with 35mm and 75mm din rail
WJ19-95	135	86	153	127	

### Wiring and installation

1. The connection terminals are protected through insulation cover, which is reliable and secure for installation and operation.
2. For WJ19- 25~40, screws are available for installation, as well as the DIN rail; for WJ19- 63~95, 35mm or 75mm standard rail are available for installation.



# Worldwide



## OUR PROMISE

Westinghouse is built upon a tradition of dependability and innovation.

Today, we strive to make everyday life a little better by offering a wide range of quality products and services you can trust.



## WHY WESTINGHOUSE ?

Since 1886, Westinghouse has brought the best to life. Today, Westinghouse Electric Corporation remains a trusted name globally in consumer and industrial products. Built on a heritage of innovation and entrepreneurial spirit. Today, Westinghouse continues to grow its diverse portfolio, which includes a wide range of product categories, including home appliances, consumer electronics. Lighting and power generation

